



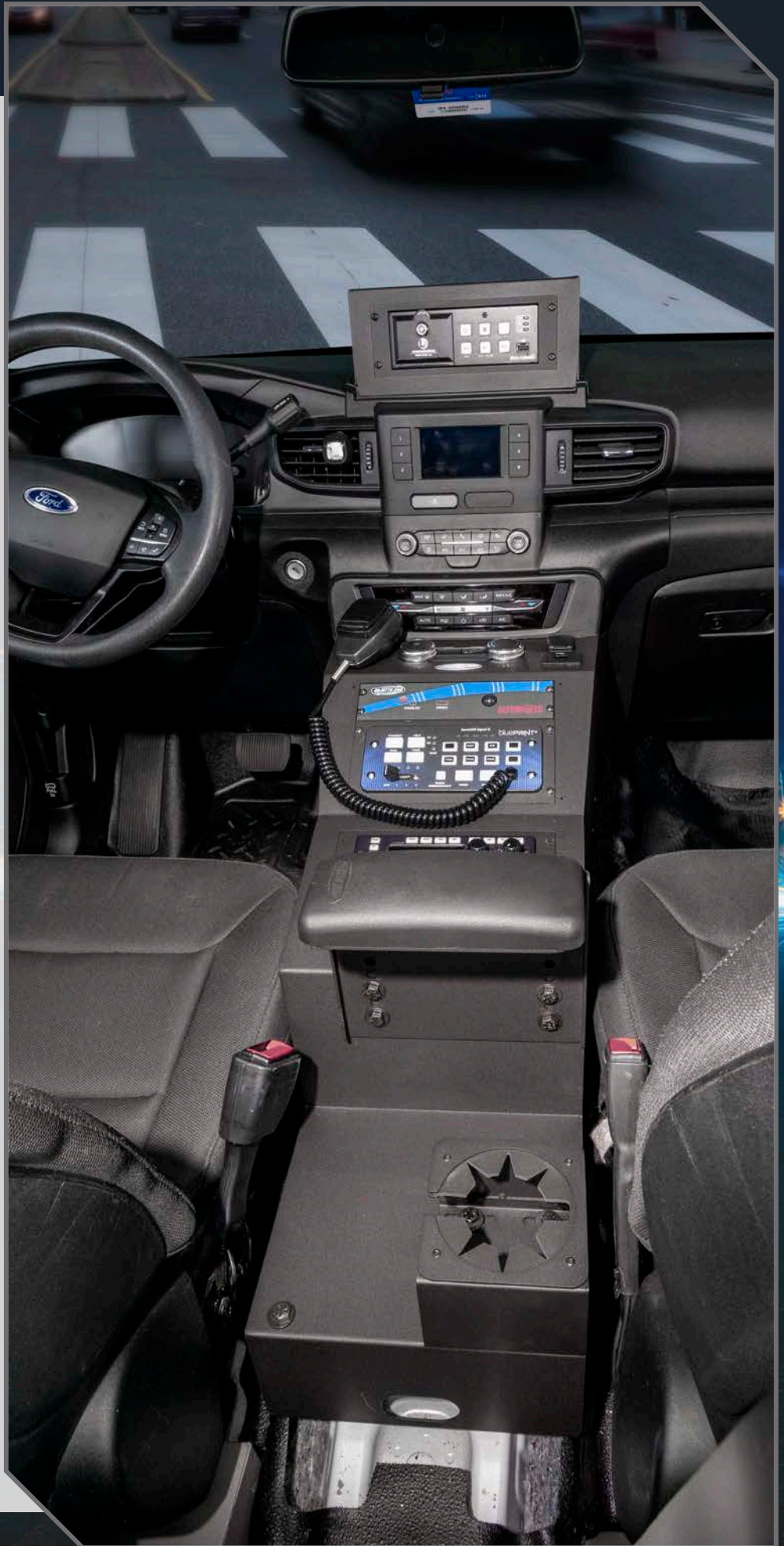
2020+ POLICE INTERCEPTOR UTILITY ORDERING GUIDE

jottopublicsafety.com

DGS CONTOUR CONSOLE

(DUTY GEAR SAVER)

The Ford PI Utility (2020+) DGS Contour Console (Duty Gear Saver) has a dash contouring shape and will fit all necessary communication and lighting equipment and extra room for your duty weapon. The installation of the PI Utility DGS Contour Console is quick and simple, utilizing OEM mounting points under the factory sensor cover plate. No drilling required. Console comes with 12" (6" top / 6" bottom) of faceplates. This PI Utility DGS Contour Console has been designed to accommodate our Mamba Mount (425-0150), Computer Side Mount (425-5542) with mounting locations for our Side Mounted Armrest (425-1849), and Tall Armrest (425-0029).



425-6703

Length36.10" Height.....16.65"
 Width.....10.23" Weight21.10 lbs
 Rated Capacity12" of face plates

- DGS Design (extra room for duty weapon)
- Relocates OEM USB/AUX and 110 Outlet
- Relocates OEM Climate Controls

CONTOUR CONSOLE

With the development of the JOTTO DESK® Contour Console line in 2001, traditional console design was revolutionized. Rather than simply a box shoved between the seats and crammed with equipment, Jotto Desk evaluated the vehicle and designed consoles based upon what the vehicle would allow combined with the agencies needs. There have been many attempts to replicate our design, but none can compare.



Length 37.60"
 Width..... 13.15"
 Height..... 10.15"
 Weight 25.5 lbs
 Rated Capacity 20" of face plates



425-6505

IPB CONTOUR CONSOLE (INTEGRATED PRINTEK BROTHER)

The Integrated Printek Brother Contour Console has an unique feature that it allows to integrate a PrintekMobile I80 or Brother PJ6/7 printer and paper roll with easy access for the officer.

Length 33.61" Height..... 10.78"
 Width..... 13.23" Weight 15.92 lbs
 Rated Capacity 14" of face plates



425-6508



MAX DEPTH CONTOUR CONSOLE

The Jotto Desk® team knows the equipment required to do the job leaves little to no room for compromise. You can fill the Max Depth Contour Console with all the equipment you need.



Length 37.32" Height..... 17.16"
 Width..... 13.15" Weight 23.75 lbs
 Rated Capacity 20" of face plates



425-6512

DASH MOUNT CONTOUR CONSOLE

Dash Mount Contour Consoles are a perfect fit for the equipment officers need in the line of sight.

Depth 8" Weight 4.7 lbs
 Rated Capacity 3" of face plates



425-6511



STANDARD CONSOLE & FLOOR PLATE

Length 15" Height..... 6"
 Width..... 9.625" Weight 7.4 lbs
 Rated Capacity 14" of face plates



425-6162



425-6674



CONSOLE ACCESSORIES

Our goal is to optimize your mobile office for performance and comfort. We make accessories that get the job done.



425-6164 USB X 2 & 12V POWER OUTLETS X 2 IN 2" FACEPLATE

- 12V/USB Outlets
- Faceplates
- Printer Mounts
- Armrests
- Floor Plates
- Storage
- Cup Holders
- UVV Littlite
- Magentic Mic Clips

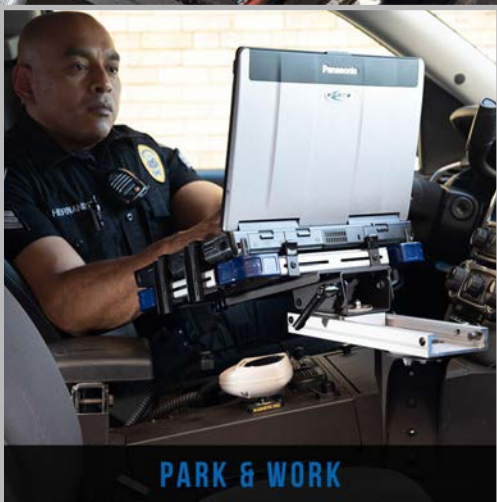
MAMBA MOUNT CONSOLE SIDE MOUNT

Jotto Desk is upgrading and simplifying your on-duty experience with the Mamba Mount, a console side mount designed to work in each zone; Store & Drive, Park & Work, and Tactically Safe.



425-0150/4138

The Mamba Mount's 12" Extruded Motion Arm smoothly rotates from the driver to the passenger side with minimal force, no levers or brackets needed. You can quickly move and reset the Mamba Mount from the home position to a comfortable working position. Pull the rear Indexing Plunger to release the laptop and slide it forward to a working position. When finished, simply reverse the process, pull the front indexing plunger and slide the laptop back to the home or store position. At full extension, the desktop tilts and swivels for the optimal working position. The Mamba Mount easily attaches to the majority of Jotto Desk Contour Consoles and any other standard console with side mount fittings and fits all Jotto Desk A-MOD Desktops.



PARK & WORK



STORE & DRIVE



TACTICALLY SAFE



JOTTO DESK® NO HOLES MOUNT

Field-proven over 20 years, the Jotto Desk® offers mobile professionals the best laptop mount for cars, trucks, vans, SUVs and Big Rigs.

- **Articulated Arm**
1" square x 13.75" solid aluminum; black anodized
- **Telescoping Rod**
7/8" x 12" steel with 5/8" turned swing arm rest
- **Stand**
1" x 10" 11 gauge steel, black; round stock
- **Height Variation**
18.375" - 22.375"
- **Base Mount**
3/16" gauge master, one-piece base with tapped 7/8" mounting post

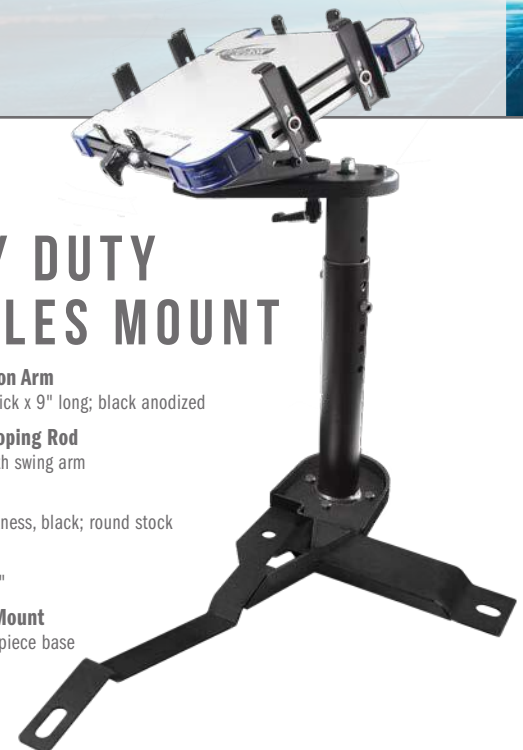


425-5010/4143



HEAVY DUTY NO HOLES MOUNT

- **Heavy Duty Motion Arm**
4.25" w x 0.75" thick x 9" long; black anodized
- **Upgraded Telescoping Rod**
1.75" x 6" steel with swing arm
- **Upgraded Stand**
2" x 15" .218 thickness, black; round stock
- **Height Variation**
15.875" to 19.875"
- **Upgraded Base Mount**
7 gauge steel, one-piece base

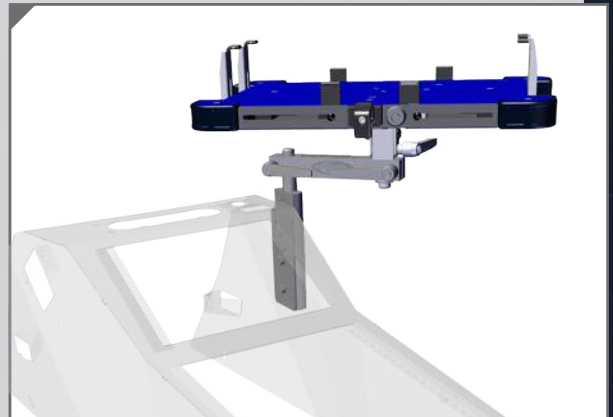


425-5032/4138

CONSOLE SIDE MOUNTS



The JOTTO DESK® Console Side Mount (CSM) features No Holes Drilled installation on the passenger side of a compatible equipment console, preserving front passenger side leg room and improving performance. The CSM offers a straight arm which enables you to comfortably use and secure a laptop using the A-MOD or other desktop.



425-5699/4143

BUILT TO FIT:



425-6703
DGS CONTOUR CONSOLE



425-6505
CONTOUR CONSOLE



425-6508
IPB CONTOUR CONSOLE



425-6512
MAX DEPTH CONTOUR CONSOLE

A-MOD (ADJUSTABLE-MOBILE OPERATIONS DESKTOP)

450-4147
A-MOD w/GK PLATE & SHORT CLAMPS

Width.....11.25" to 13.625"
Depth9.25" to 11" (with extensions)
Clamp Height.....0.5" to 1.10" (Short Clamp)
Weight:4.65 lbs (5.65 lbs with GK Plate)



450-4144
A-MOD XL w/GK PLATE & SHORT CLAMPS

Width.....13.5" to 16"
Depth9.25" to 11" (with extensions)
Clamp Height.....0.5" to 1.10" (Short Clamp)
Weight:5.1 lbs (6.1lbs with GK Plate)



450-4153
A-MOD XL w/GK PLATE & TALL CLAMPS

Width.....13.5" to 16"
Depth9.25" to 11" (with extensions)
Clamp Height.....1" to 2.25" (Tall Clamp)
Weight:5.1 lbs (6.1lbs with GK Plate)



450-4143 - A-MOD w/GK PLATE & TALL CLAMPS

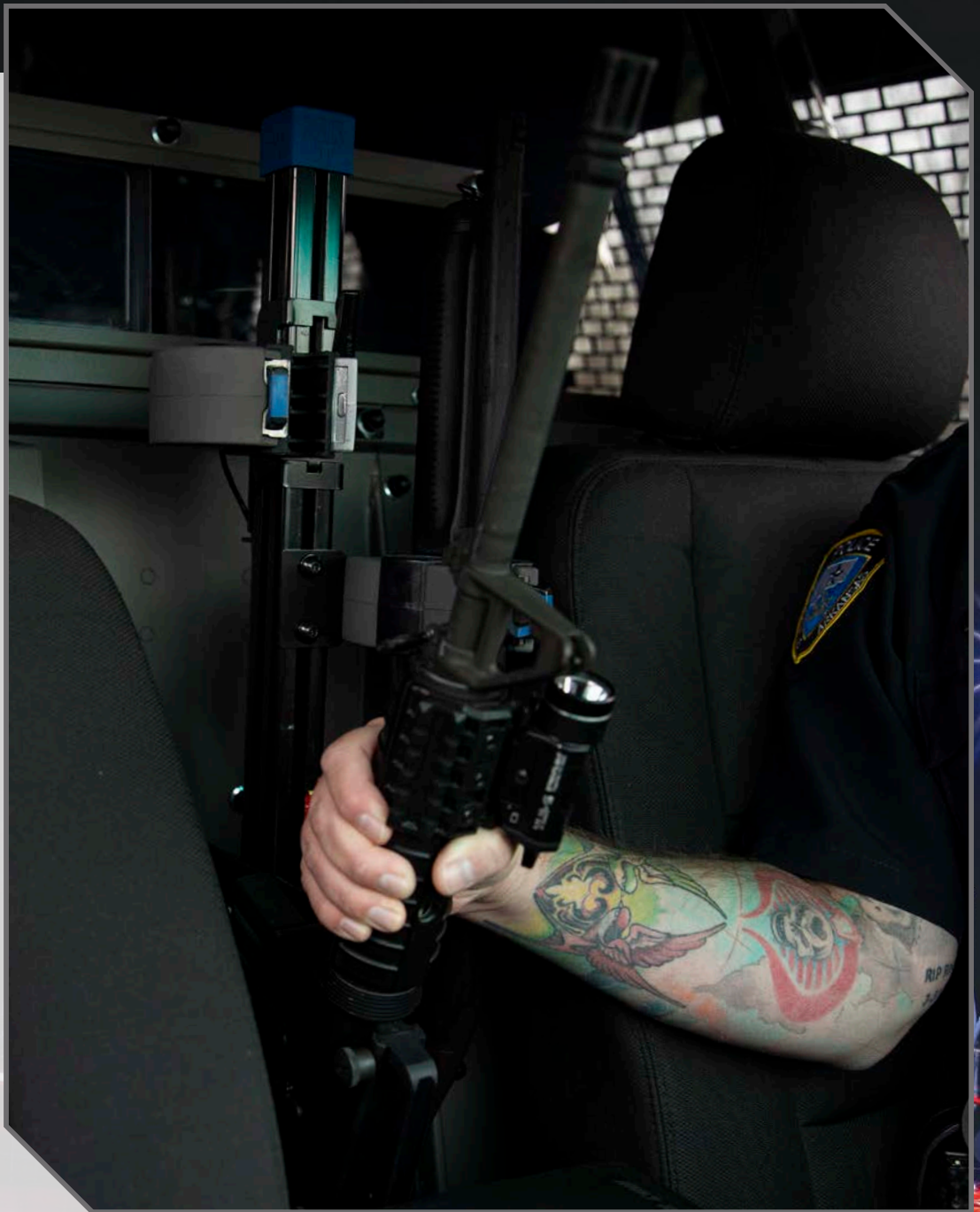
Width.....11.25" to 13.625" Clamp Height.....1" to 2.25" (Tall Clamp)
Depth9.25" to 11" (with extensions) Weight:4.65 lbs. (5.65 lbs with GK Plate)

The A-MOD is engineered to be lightweight, yet rugged. Manufactured from steel, high strength aluminum, and composite materials where it makes sense. It's not real security if a laptop can be simply be stolen by jimmying the lock or bending the clamps. The A-MOD features a high-security solid brass tubular lock and case-hardened steel clamps.

ZRT GUNS RACK

The ZRT Gun Racks are designed for any configuration you can imagine. Partition Mounted, Single Cell Mounted, Rear Seat Mounted or Free Standing, and Rear Hatch Mounted – Single Weapon or Dual.

- Eliminates 12V hot-wiring
- Cannot be defeated by magnets
- Zinc lock head design deforms instead of breaking
- Silicone inserts in lock head
- Protect weapon from damage
- Quickly adjust AR side along the strong extruded backbone to accommodate various stocks
- Single or dual weapon
- Plug and play lock head/timer wiring
- Compact size - 1/3 smaller than other lock heads
- Innovative slide latch
- Recesses inside housing
- When accessing firearm



SMARTLOCK TECHNOLOGY

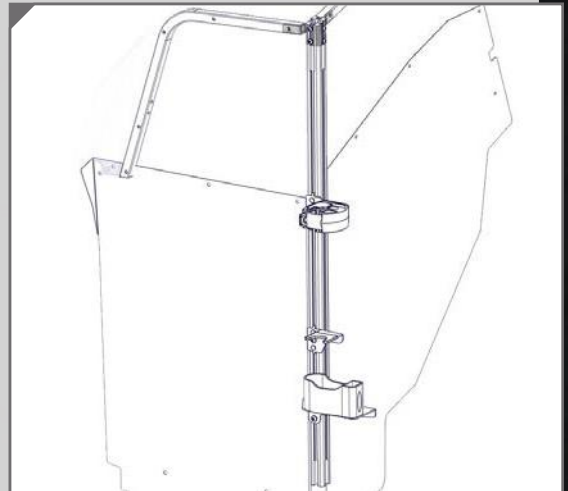


475-2010

U.S. PATENT NO. 8,910,560 AND U.S. PATENT NO. 10,563,943

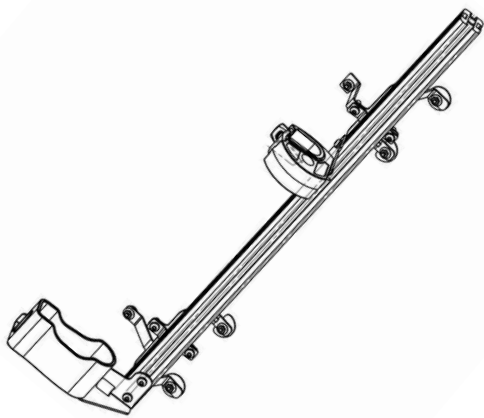


SINGLE CELL MOUNT



475-2046

REAR HATCH MOUNT



475-1529



Model #	Description	Location	Weapon	Style
475-2010	GR9-ZRT-AR BLM/870	Partition	Dual	Vertical
475-2063	GR9-ZRT-AR-GL3-XL/870	Partition	Dual	Vertical
475-2015	GR9-ZRT-AR-BLM-V	Partition	Single (AR)	Vertical
475-2014	GR9-ZRT-870-V	Partition	Single (870)	Vertical
475-2054	GR9-ZRT-AR-BLM	Partition	Dual (AR)	Vertical
475-2052	GR9-ZRT-AR Secure-BLM/870	Partition	Dual (AR Secure)	Vertical
475-2053	GR9-ZRT-AR Secure-BLM	Partition	Single (AR Secure)	Vertical
475-2038	GR7-ZRT-SUV-PICKUP-AR BLM/870	Single Cell	Dual	Vertical
475-2046	GR7-ZRT-SUV-PICKUP-AR BLM	Single Cell	Single (AR)	Vertical
475-0653	GR6-ZRT-PIU-2020+-AR BLM/870	Rear Seat	Dual	Vertical
475-1528	GR4-ZRT-AR-BLM-PI-UTILITY-2020+	Rear Hatch	Single (AR)	Horizontal
475-1529	GR4-ZRT-870-PI-UTILITY 2020+	Rear Hatch	Single (870)	Horizontal

VEHICLE PARTITIONS

Keep your officers safe while transporting prisoners with Jotto Desk's line of vehicle partitions. Our system allows your department to configure the partition to maximize the officer's workspace while providing safe transport of prisoners. The partition's no holes drilled system makes installation fast and easy.

SPACE CREATOR BIDIRECTIONAL VEHICLE PARTITION

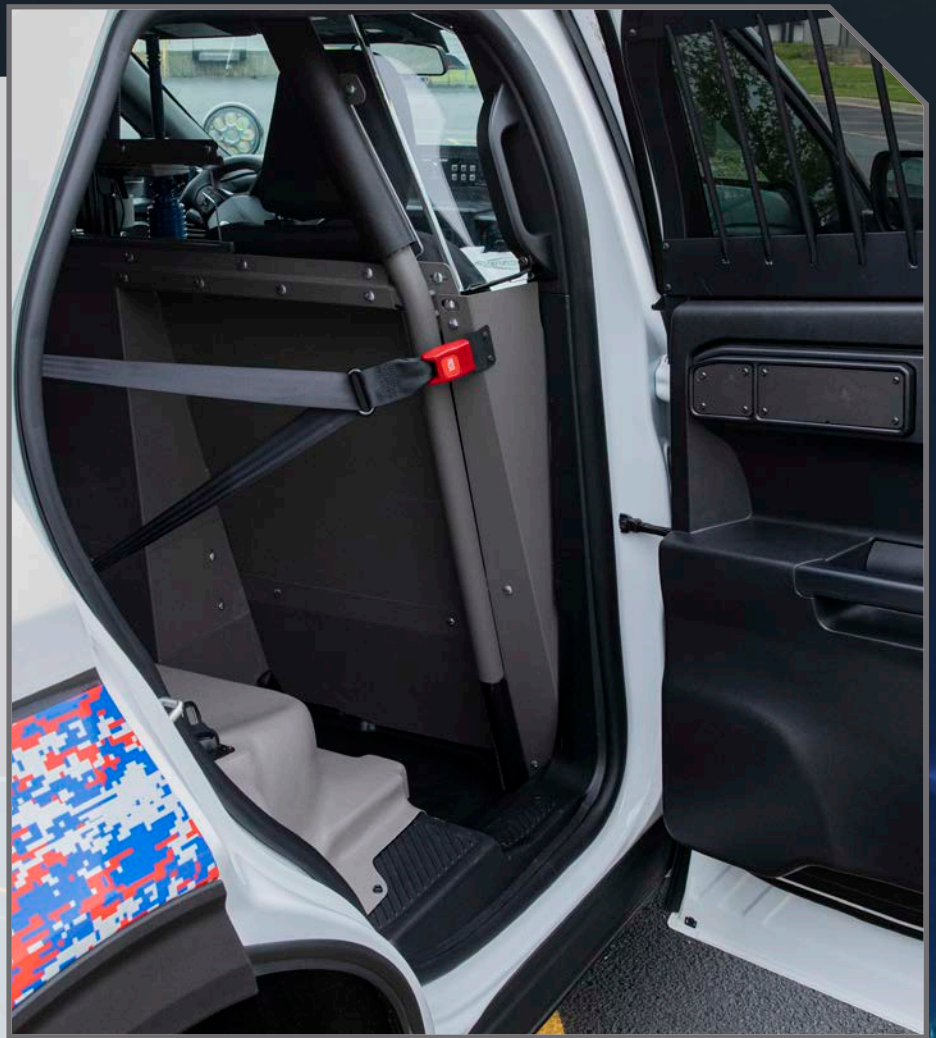


425-0063



425-0065

Jotto Desk originated the Space Creator Vehicle Partitions (US Patent No. 8,690,216) to transform previously unusable space to create additional leg room behind the front passenger seat. The Bidirectional Recessed Housing (BDRH) creates unparalleled leg room for even large prisoners while maintaining excellent use of officer seat for complete comfort.



UDRH UNIDIRECTIONAL VEHICLE PARTITION



425-0839



425-0840

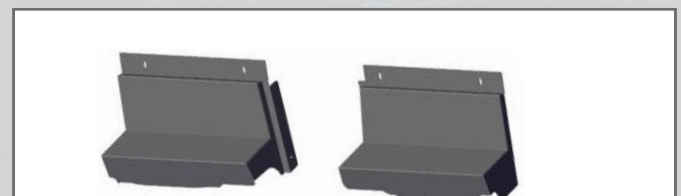
HSEP (HIGH SECURITY EXTENSION PANEL)

Enhance security by preventing rear passengers from reaching into the front of the vehicle under seats with a two-piece, steel High Security Extension Panel.



SPACE CREATOR HIGH SECURITY EXTENSION PANEL

425-0968



UDRH HIGH SECURITY EXTENSION PANEL

425-1007



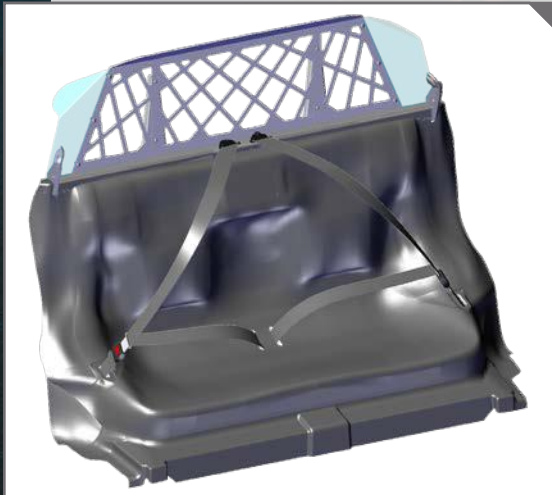
40%
MORE VISIBILITY

HIGH SECURITY/HIGH VISIBILITY WINDOW

A High Security/High Visibility (HS/HV) Window gives officers the best of both worlds - tremendous sight lines, whether looking out the rearview or turning around. The 4”H x 11”W window allows for communication or passing of information but there won’t be anyone that will squeeze through this opening. If a prisoner spits/bleeds/smears the window - it is still easily cleanable...not so with “expanded metal”.

ABS SEATING

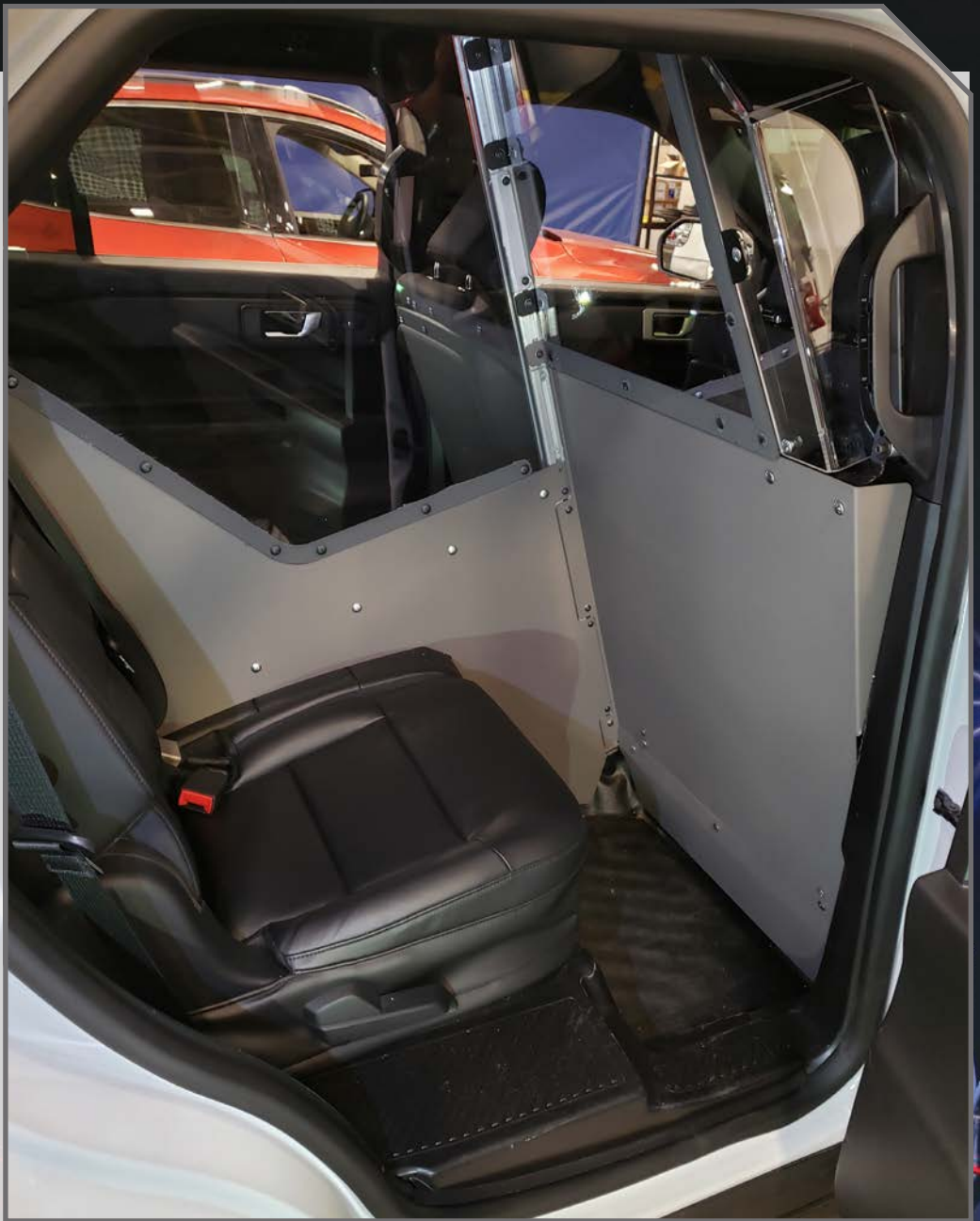
Jotto Desk realized the extreme challenge facing agencies in regard to the rear seat area of SUVs. The Jotto Desk solution, provides a complete SUV prisoner transport solution. The Replacement ABS Bio-Seat comes with all the hardware need to remove the OEM seat and replace with a biohazard and contraband control system for easier transportation and clean up. Along with replacing the OEM seat, Jotto Desk is offering a Door Side (DS) Seat Belt System.



475-0923

SINGLE CELL

This Single Cell includes Front Divider, Center Divider, Passenger Side Window Armor/Steel Door Control Covers, ABS Seat Cover, and SCA Compliant Rear Cargo Barrier (CB4). The Center Divider has been re-designed for 2020, reducing the steel and increasing the upper poly section to greatly improve the visibility of the prisoner. A removable HSEP has been designed for added prisoner foot room... but can be removed to provide additional airflow when used in a PI Utility without rear air. The ABS Bio Seat Cover offers the benefit of biohazard and contraband control with easy clean up when needed. One more feature for 2020 is the passenger side Door Control Covers, which are an inexpensive way to eliminate access to the OEM door latch and window controls.



475-0767



475-0791

SINGLE CELL LITE

The Jotto Desk™ Single Cell includes the Front Divider, Center Divider and SCA Compliant Rear Cargo Barrier (CB4). The bottom 2/3 of the front divider and center divider is powder coated steel with a detachable HSEP for added prisoner foot room. We wanted to give officers a greater viewing angle of prisoners being transported, so the design was tweaked to increase the poly and reduce the steel.

WINDOW ARMOR

Protect your vehicles while transporting prisoners with Jotto Desk's line of Window Armor. Easy to install, helps prevent side windows from being kicked out and nobody can reach in or out of the prisoner compartment. This item are designed for a perfect fit in the 2020+ Ford PI Utility.

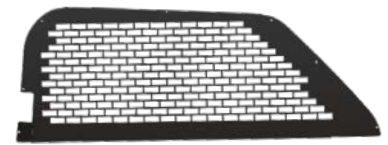
BAR STYLE WINDOW ARMOR



475-0848

475-1401 with Door Control Covers

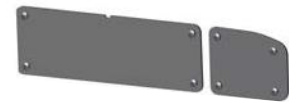
SECURE GRID STYLE WINDOW ARMOR



475-0902

475-1486 with Door Control Covers

DOOR CONTROL COVERS

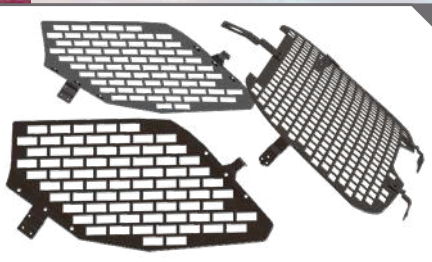


475-1251

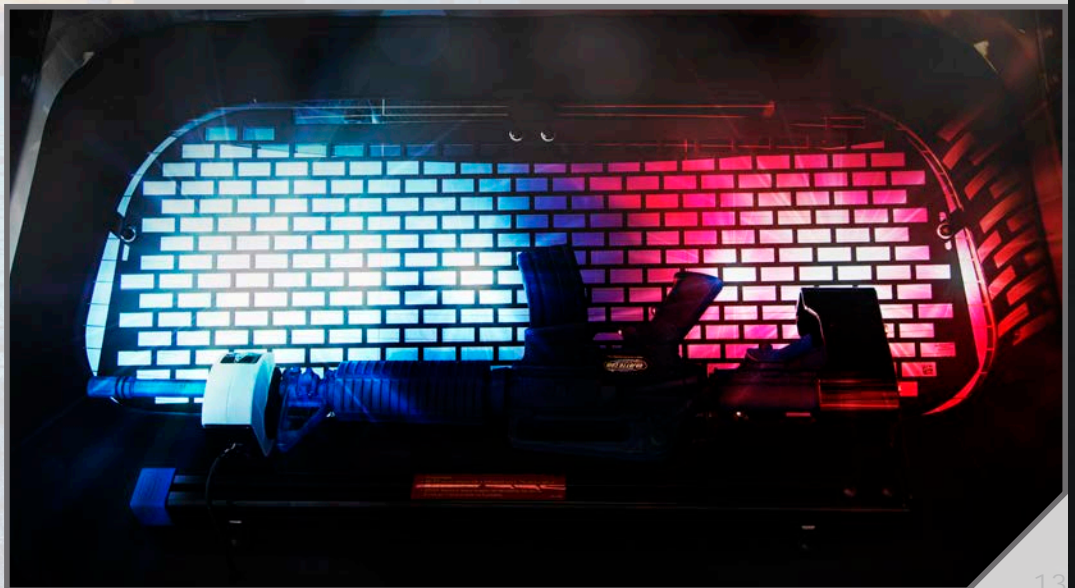


REAR CARGO AREA SECURE-GRID WINDOW ARMOR

The Rear Cargo Area Secure-Grid Window Armor protects the equipment stored in the rear cargo area from being stolen during a smash and grab situation. This Window Armor secures the cargo area by providing addition window armor that covers the driver/passenger side rear windows and the rear hatch window.



475-1113



CARGO BARRIERS



475-0067



475-1337

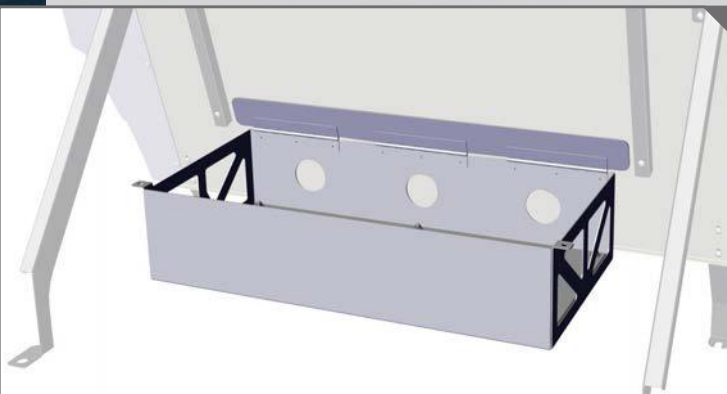


CARGO BARRIER WITH UPPER POLY COVER

Separate prisoner and rear cargo areas securely with Jotto Desk's line of Cargo Barriers. Keep prisoners in their area and in case of a crash, keep your cargo where it belongs with the CB4 Prisoner Cargo Barrier. This design secures behind the second row of seats utilizing OEM mounting points, installs quickly and requires no vehicle modifications.

CARGO BARRIER EQUIPMENT TRAY

The Cargo Barrier Equipment Tray provides a secure location to mount communications, lighting, and other equipment in the PI Utility cargo area. The Equipment Tray has been designed to mount directly to Jotto Desk Cargo Barriers (475-0067 & 475-1337) and the Cargo Barrier has been manufactured with OEM hardware to make installation a breeze. The steel construction of the equipment tray - helps protect the mounted equipment from damage due to unsecured items flying about when the vehicle is in motion. This solution makes initial upfits easy, as equipment can be bench mounted to the Removable Shelf and then mounted to the Equipment Tray. When servicing the mounted equipment - instead of doing everything in the confines of the cargo area, simply pull the Removable Shelf from the Equipment Tray and take into an air-conditioned room for repairs/replacement.



425-8001

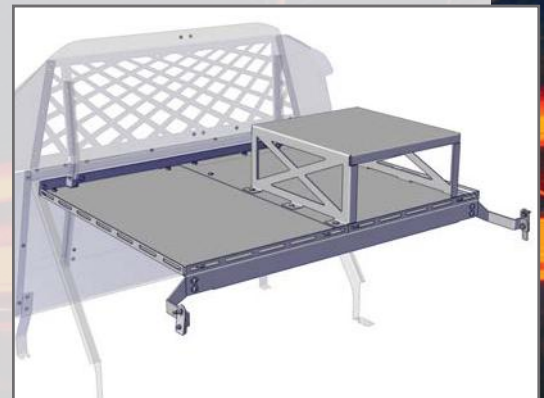


CARGO COVER/ EQUIPMENT TRAY

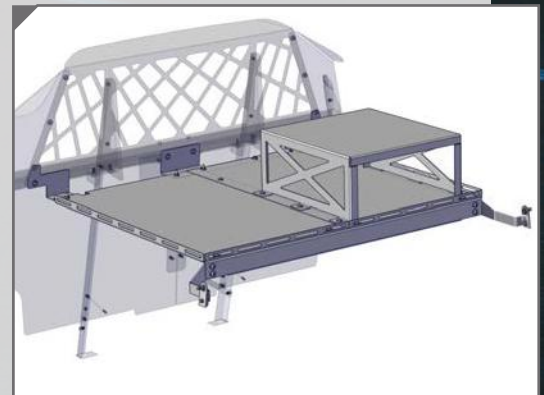
Introducing the Jotto Desk™ 2020+ PI Utility Cargo Cover. Designed to provide a solid horizontal divider in the vehicle. The upper/top section creates an area for mounting expensive communication, in-car video, and lighting equipment that uninstalls easily for service. Retaining the lower section for the individual officer or deputy's day-to-day gear. Whether a Rubbermaid tote with crime scene tape, rubber gloves, and drug testing supplies or more mission-critical items like a sniper rifle, Level IIIA SWAT vest, and Kevlar Helmet. The Jotto Desk™ 2020+ PI Utility Cargo Cover offers protection, first by obscuring from observation what is stored or housed underneath and secondly by relying on the strength of 14 gauge steel to keep anyone from stealing what is stored beneath the Cargo Cover.



shown in the 2021+ Chevy Tahoe



425-1866 (ATTACHES TO SRS)

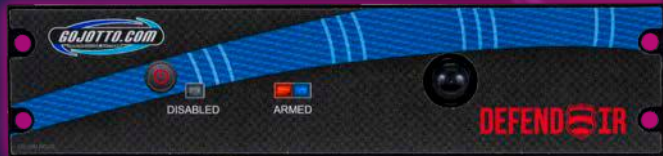


425-1865 (ATTACHES TO CB4)

DEFEND IR

You take every available precaution to secure your patrol vehicle; firearms in the gun rack, locking equipment and doors. The inconvenient truth is that the criminal element has time on their side to bypass these precautions.

Jotto Desk is excited to introduce the Defend IR Security System. The first Security Solution against patrol vehicle break-ins. The Defend IR Monitors the interior of your vehicle utilizing an infrared sensor when armed. When a change is detected, the Defend IR activates the lights and siren of the patrol vehicle, alerting everyone nearby and scaring off a potential thief.



209 W. EASY ST., ROGERS, AR 72756 • www.JOTTOPUBLICSAFETY.com • 5/22

Jotto Desk™ is a patented product and Registered Trademark of Assembled Products™ Corporation.
Specifications subject to change without notice.